

# FURUTECH

PURE TRANSMISSION



*GTX-D(R)*



*GTX-S(R)*

## *New for 2010 • Furutech's Top-Tier GTX Receptacles Refinement has a New Name...*

### ***The Pure Transmission Mission***

A very Furutech power product, manifesting a devotion to best performance in every element of AC and signal transfer. Considering that what you actually hear is in a very real sense the direct product of the incoming AC, then the final few feet are of prime importance for best performance.

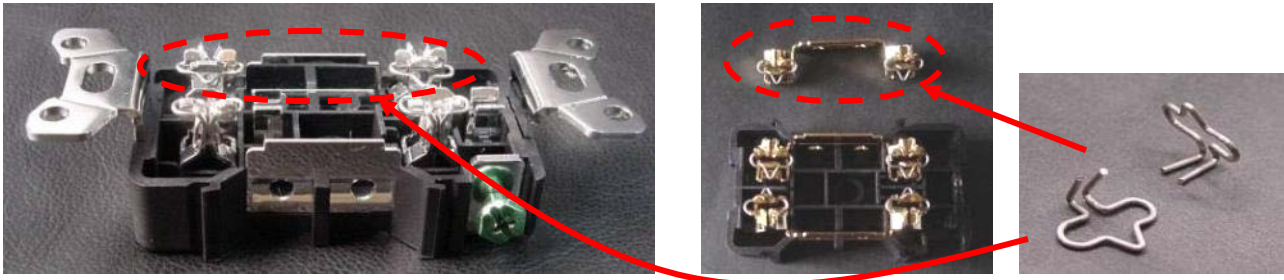
Of course everyone would love to make pure-copper receptacles, but its malleability – lack of stiffness – makes pure copper a poor choice. That's why you'll find phosphor bronze or brass in some receptacles. Furutech's intense engineering scrutiny has resulted in an industry-first, a technique allowing us to use special Furutech 24k gold- or rhodium-plated  $\alpha$  (Alpha) pure copper conductors strengthened and sprung by our innovative nonmagnetic Stainless Steel Conductor Spring System that keeps a firm grip yet won't damage male connector blades or their plated surfaces. Even the screw-down pressure plates are curved to maximize contact area. The GTX receptacle can be summed up in a word; virtuoso!

### ***Features***

- Rhodium or gold-plated  $\alpha$  (Alpha) Pure Copper Conductor (0.8mm)
- Nonmagnetic stainless conductor spring system
- Body material: Nylon/fiberglass with piezo ceramic and carbon damping material
- Cover material: Polycarbonate
- Parts set with nonmagnetic 2.0mm-thick stainless brace plate
- Specified for wire diameters of 4mm (set screw)
- Dimensions: 104.0 mm (L) x 47.2 mm (W) x 28.0 mm (H)
- Total attention to detail and build quality extends right down to a specially designed patent-pending conductor pressure plate (see below) that increases contact area
- Furutech spade terminal FP-205 recommended for 10 AWG wire

***Feel, experience and communicate with music and sound!***

- *Nonmagnetic stainless conductor springs with special vibration damping powder coating*



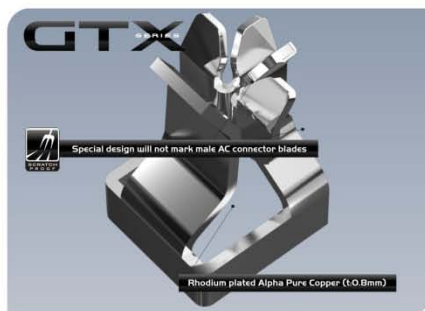
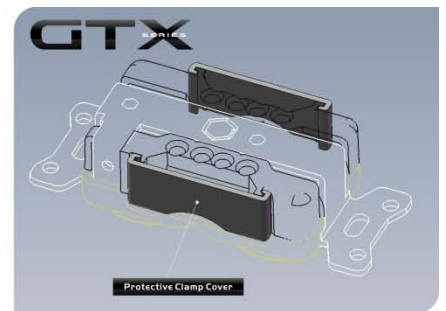
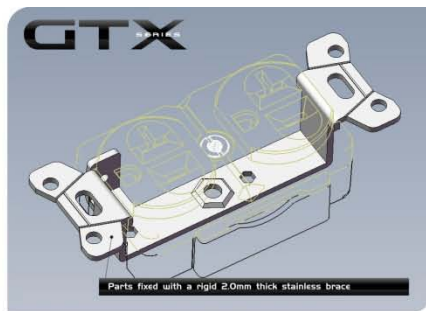
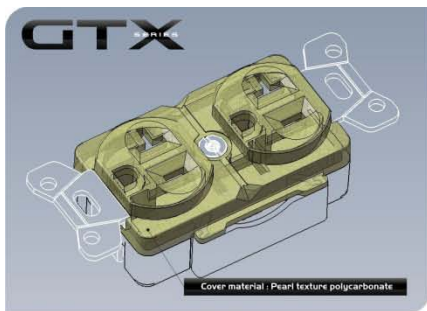
- *$\alpha$  (Alpha) pure copper conductors strengthened and sprung by our innovative nonmagnetic Stainless Steel Conductor Spring System that keeps a firm grip yet won't damage male connector blades or their plated surfaces.*

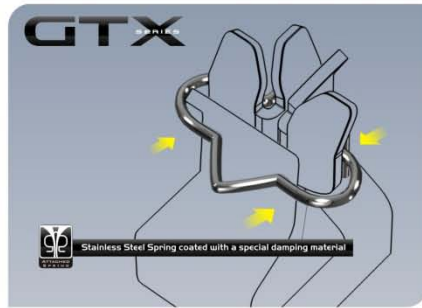
### GTX Conductors

### Conventional Conductors



### Construction





All metallic parts are treated with the  
*\*FURUTECH  $\alpha$  (Alpha) Process (Super Cryogenic & Demagnetizing Treatment.)*

### About Furutech

Furutech makes a wide variety of high performance 15A and 20A A/V cable and power connectors and parts, as well as distribution/filtering products like the new 120Hz standard HDMI xv1.3 cable, AG-12 Silver Phono Cable, Pure Power 6, e-TP4+4, e-TP609 and e-TP60 Power Distributors, and e-TP80 Power Filters, deMag Disc and Cable Demagnetizer, DF-2 LP Flattener, PC-2 Disc Pure Cleaner, and their own very special NANO Liquid Contact Enhancer, plus even more fine cable and OEM products.

### Make A More Powerful Connection with Furutech!

FURUTECH CO., LTD • [service@furutech.com](mailto:service@furutech.com) • [www.furutech.com](http://www.furutech.com)